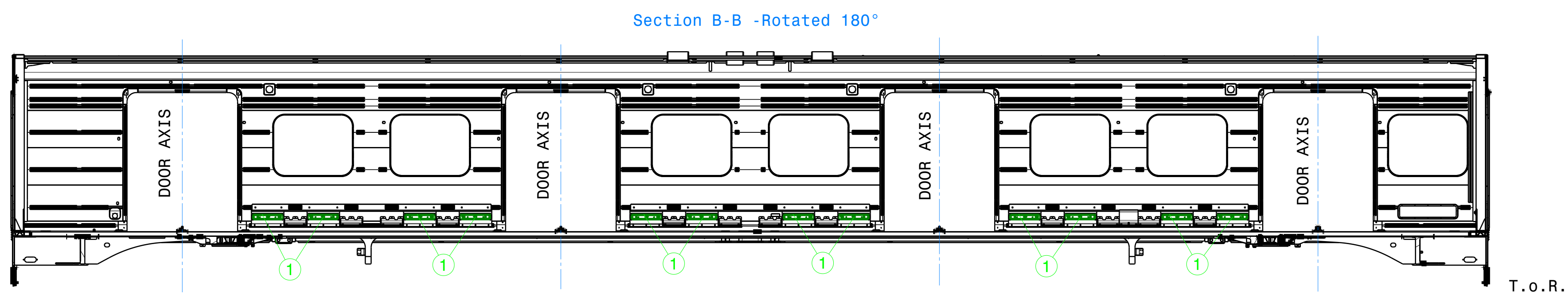
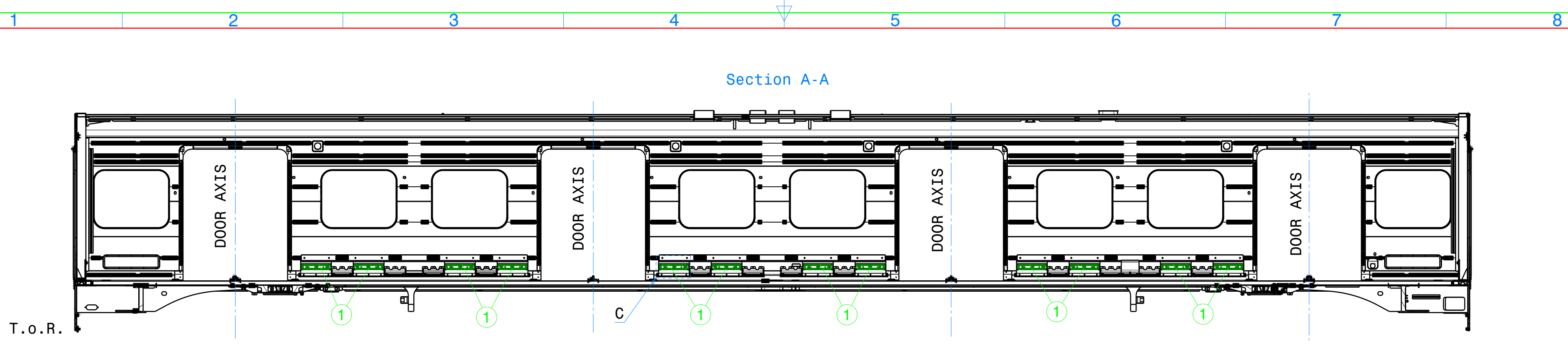
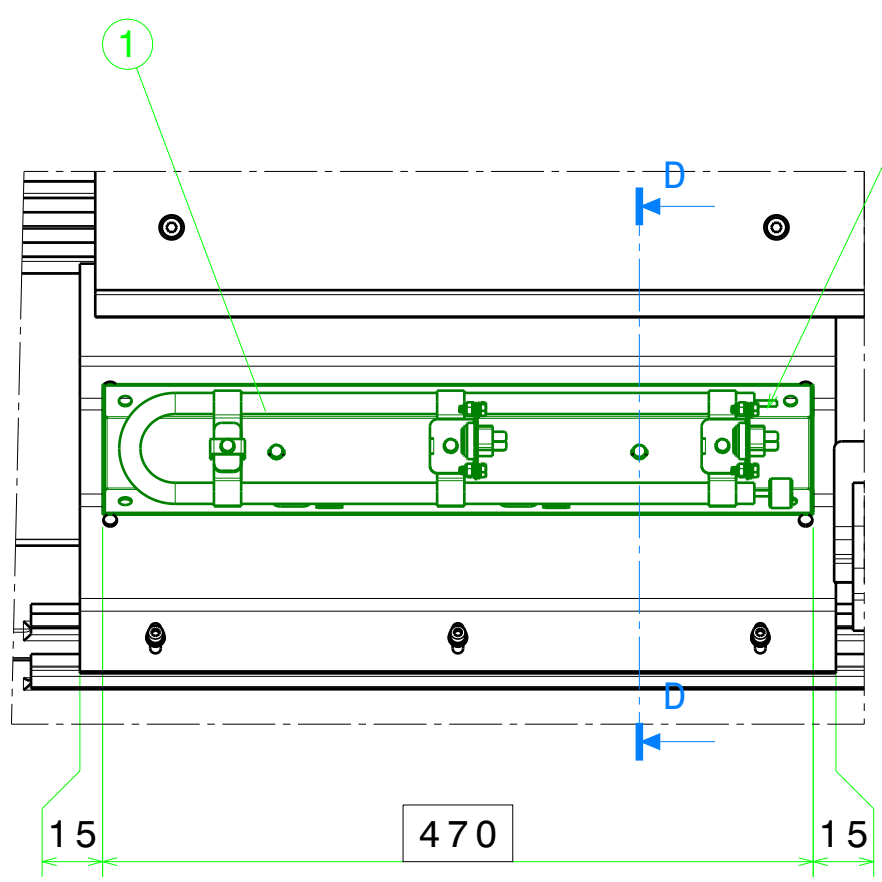


Reproduction, dissemination or use of this document or its contents in any form without the prior written permission of TURASAS, is prohibited. Offenders will be liable for the payment of damages. All rights reserved in the event of the grant of a patent. Utility needs of structural design registration.

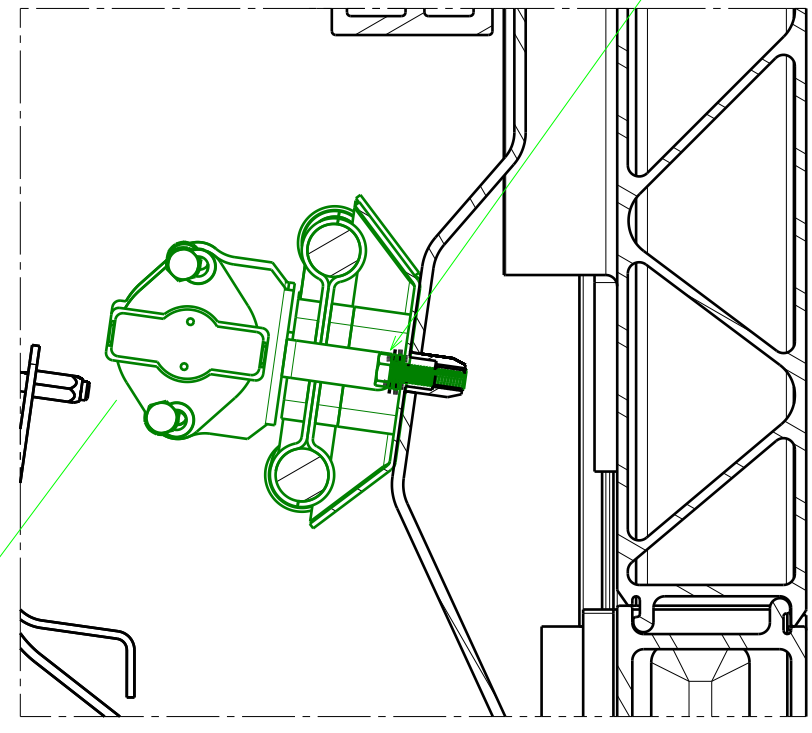


Detail C
Typical
Scale: 1:5



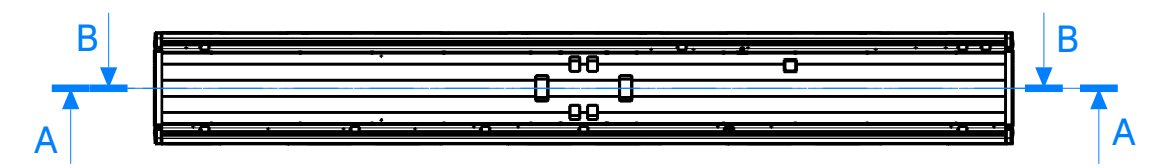
For electrical connection see GZ10.28.02.00001

Section D-D
Typical
Scale: 1:2



For installation see GZ10.28.02.00001

Scale: 1:200



Nom. Size	Class	L mm	Ham	Ypl.
<1000	6,0	0,8		
<630	4,0	0,7		
<400	3,0	0,6		
<250	3,0	0,4		
100	2,0	0,3		
40	1,5	0,2		
L mm	m ±	K ±		
Nom. Size	Class	L mm	Ham	Ypl.
>20000	9,0	8,0		
<20000	8,0	7,0		
<16000	7,0	6,0		
<12000	6,0	5,0		
<8000	5,0	4,0		
<4000	4,0	3,0		
<2000	3,0	2,0		
<1000	2,0	1,5		
<400	1,0	1,0		
30-120	1,0	0,5		
2-30	1,0	0,5		
L mm	A ±	E ±		
Nom. Size	Class	L mm	Ham	Ypl.

Technical Specifications	Technical Document	Fixture/Mould Asset ID.	Coating/Heat Tre./Roughness	Paint/Color	Modif. No	Update Heaters	09/10/2025	Date	Sign

1	Heater	24	GZ10.28.02.00001	-	-	6,033 kg
						107,9
No	Parça Adı Designation Name of Item	Adet Qty.	Resim No / Norm Drawing No / Norm	Matzeme Material	Ölçü Dimension	Ağırlık Weight (Kg)
	ISO 21920-1		ISO 8015	ISO 2553	General Tol.	
	EN 15085-2 Certification Level		CL1 <input type="checkbox"/> CL2 <input type="checkbox"/> CL3 <input type="checkbox"/>	Weld Pro.	ISO 13920	
	Approved	L.Giovinazzo	15/03/2023	Scale	ISO 12708	
	Checked	G.Mazzola	15/03/2023	1:50	Lm2 <input type="checkbox"/> Lr2 <input type="checkbox"/> Sm2 <input type="checkbox"/> Sr2 <input type="checkbox"/>	
	Prepared	G.Ierardi	15/03/2023			
Heaters						
-						
TURASAS Turkish Railway Vehicles Industry Inc.						
GZ11.25.22.00000						
Date: 15/03/2023						Sheet : 1/1
						Size:A2
						Rev: 01